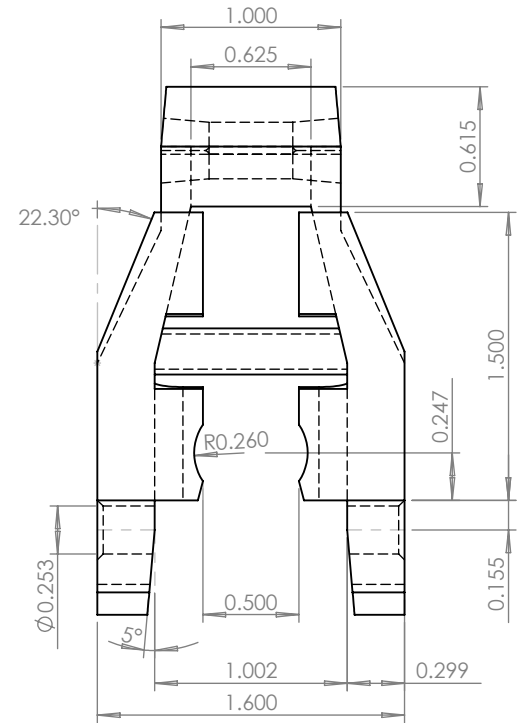
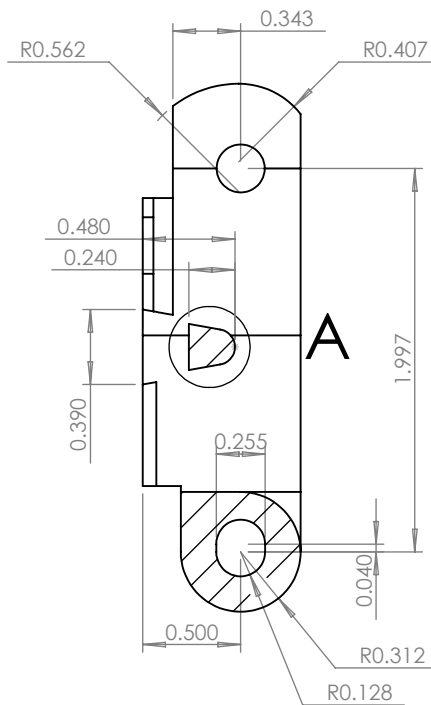
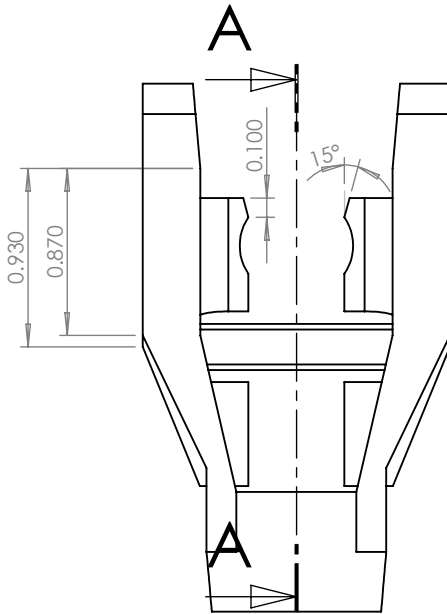


## DETAIL A



## SECTION A-A

DIMENSIONS ARE IN INCHES  
 TOLERANCES:  
 FRACTIONAL  $\pm 1/64$   
 ANGULAR:  $\pm 0^{\circ}30'$   
 TWO PLACE DECIMAL  $\pm 0.010$   
 THREE PLACE DECIMAL  $\pm 0.005$

**PLASTOCK**<sup>®</sup>  
 Manufactured by Putnam Precision Molding

**Part Number:**  
**200 SC Link**

www.plastock.biz  
 © 2010 Putnam Precision Molding

**Part Description:**  
 Removable Top Plate  
 Series 2" Pitch

**PROPRIETARY AND CONFIDENTIAL :** THE INFORMATION CONTAINED IN THIS DRAWING IS THE SOLE PROPERTY OF PUTNAM PRECISION MOLDING. ANY REPRODUCTION IN PART OR AS A WHOLE WITHOUT THE WRITTEN PERMISSION OF PUTNAM PRECISION MOLDING IS PROHIBITED. INFORMATION IN THIS DRAWING IS PROVIDED FOR REFERENCE ONLY.